

# Metal Cabinet Application

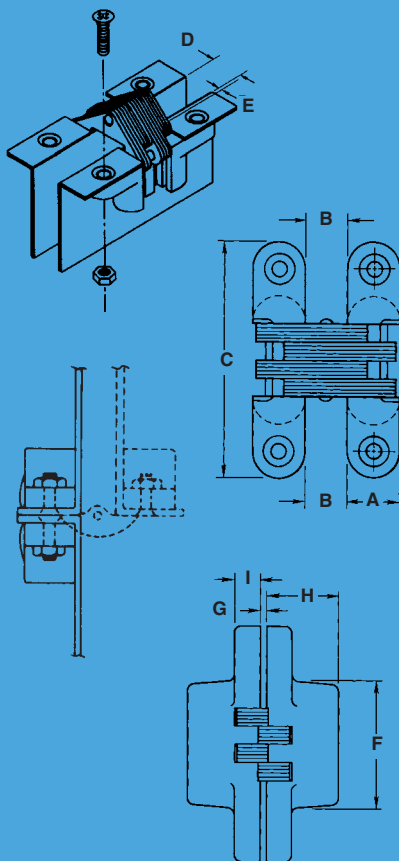
## INSTALLATION OF METAL CABINET HINGES

Hinges 114, 205, and 314 are designed for easy installation in metal cabinets. A typical installation is shown in the cross-section drawing. Hinge is shown in open and closed position.

When installing hinges, sheet metal flange should be slotted for link bunch and drilled for fastener.

### Key to Dimensions Shown in Charts

An assortment of specially modified SOSS Invisible Hinges is available for use in cabinets, computers, copiers, postage meters, and electronic equipment. If you have a unique hinge installation application for our invisible or concealed hinges, modifications can be made to any of our standard models.



### Metal Application Only

Hinge illustrations are shown half size.

Dimension	114	205	314
A	1/2" (12.70mm)	1/2" (12.70mm)	1/2" (12.70mm)
B	7/16" (11.11mm)	37/64" (14.68mm)	7/16" (11.11mm)
C	1 1/2" (38.10mm)	2 3/8" (60.33mm)	1 1/2" (38.10mm)
D	1/8" (3.18mm)	2 1/64" (8.33mm)	1/8" (3.18mm)
E	5/32" (3.97mm)	1/8" (3.18mm)	5/32" (3.97mm)
F	1 1/16" (17.46mm)	1 1/4" (31.75mm)	39/64" (15.08mm)
G	3/32" (2.38mm)	1/4" (6.35mm)	3/32" (2.38mm)
H	1 9/32" (15.08mm)	2 3/32" (18.26mm)	5/8" (15.88mm)
I	7/32" (5.56mm)	1/4" (6.35mm)	.054" (1.37mm)
Min. Wood Thickness	N/A	N/A	N/A
Screw Sizes	All metal cabinet hinges are shipped without screws unless otherwise specified.		
Soft Wood Pilot Hole	N/A	N/A	N/A
Hard Wood Pilot Hole	N/A	N/A	N/A
Hinge Weight	.10 lb.	.22 lb.	.06 lb.

