

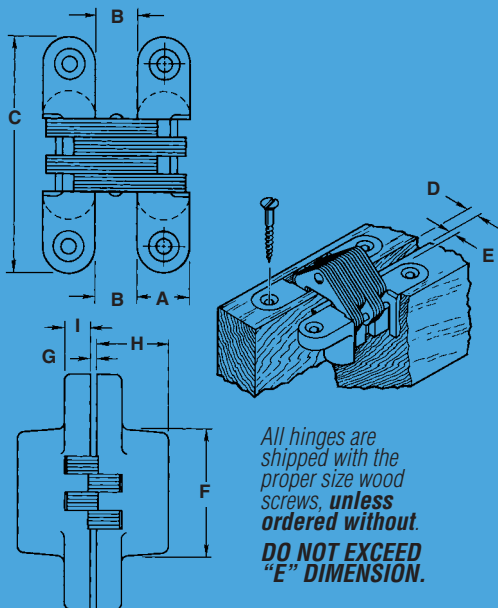
SOSS Invisible Hinges

For Wood
or Metal

Hinge
illustrations
are shown
half size.

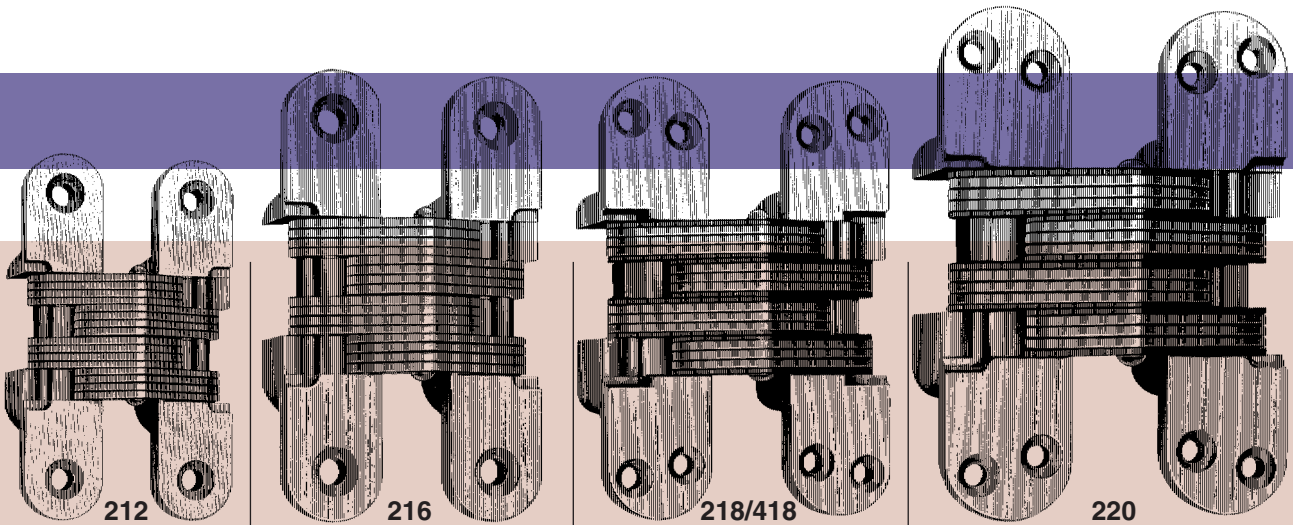
Dimension	100	101	103	303	203	204	208
A	3/8" (9.53mm)	3/8" (9.53mm)	1/2" (12.70mm)	1/2" (12.70mm)	1/2" (12.70mm)	1/2" (12.70mm)	5/8" (15.8mm)
B	9/32" (7.14mm)	19/64" (7.54mm)	3/8" (9.53mm)	3/8" (9.53mm)	23/64" (9.13mm)	23/64" (9.13mm)	29/64" (11.51mm)
C	1" (25.40mm)	1 1/16" (42.86mm)	1 1/2" (38.10mm)	1 1/2" (38.10mm)	1 3/4" (44.45mm)	2 3/8" (60.33mm)	2 3/4" (69.85mm)
D	3/32" (2.38mm)	7/64" (2.78mm)	1/8" (3.18mm)	1/8" (3.18mm)	7/64" (2.78mm)	7/64" (2.78mm)	9/64" (3.57mm)
E	3/32" (2.38mm)	3/32" (2.38mm)	1/8" (3.18mm)	1/8" (3.18mm)	1/8" (3.18mm)	1/8" (3.18mm)	5/32" (3.97mm)
F	3/8" (9.53mm)	7/8" (22.23mm)	1 1/16" (17.46mm)	39/64" (15.08mm)	3/4" (19.05mm)	1 1/4" (31.75mm)	1 11/32" (34.13mm)
G	1/32" (.79mm)	1/32" (.79mm)	1/32" (.79mm)	1/32" (.79mm)	1/32" (.79mm)	1/16" (1.59mm)	3/64" (1.19mm)
H	1 5/32" (11.91mm)	2 9/64" (11.51mm)	1 9/32" (15.08mm)	2 1/32" (16.68mm)	2 3/32" (18.26mm)	2 3/32" (18.26mm)	2 9/32" (23.02mm)
I	1 5/64" (5.96mm)	7/32" (5.56mm)	7/32" (5.56mm)	.054" (1.37mm)	3/16" (4.76mm)	1/4" (6.35mm)	9/32" (7.14mm)
Min. Wood Thickness	1/2" (12.70mm)	1/2" (12.70mm)	3/4" (19.05mm)	1 1/16" (17.46mm)	3/4" (19.05mm)	3/4" (19.05mm)	1" (25.40mm)
Wood Screw Sizes	#5x3/4" (3.5x19mm)	#5x3/4" (3.5x19mm)	#6x1" (3.5x25mm)	#5x3/4" (3.5x19mm)	#6x1" (3.5x25mm)	#7x1 1/4" (3.9x32mm)	#8x1 1/4" (4.2x32mm)
Soft Wood Pilot Hole	No. 53	No. 53	No. 52	No. 53	No. 52	No. 51	No. 48
Hard Wood Pilot Hole	No. 47	No. 47	No. 44	No. 47	No. 44	No. 39	No. 35
Hinge Weight	.04 lb.	.07 lb.	.09 lb.	.05 lb.	.11 lb.	.20 lb.	.34 lb.

Key to Dimensions Shown in Charts



**For Wood
or Metal**

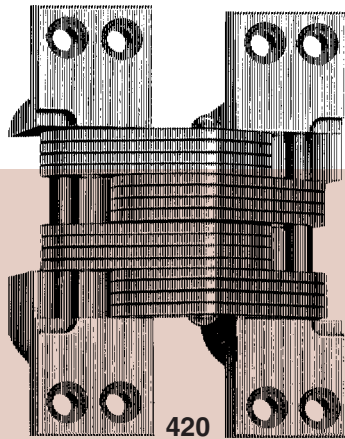
*Hinge
illustrations
are shown
half size.*



Dimension	212	216	218/418	220
A	3/4" (19.05mm)	1" (25.40mm)	1 1/8" (28.58mm)	1 3/8" (34.93mm)
B	1 7/32" (13.49mm)	2 3/32" (18.26mm)	7/8" (22.23mm)	1 1/16" (26.99mm)
C	3 3/4" (95.25mm)	4 5/8" (117.48mm)	4 5/8" (117.48mm)	5 1/2" (139.70mm)
D	5/32" (3.97mm)	7/32" (5.56mm)	3/8" (9.53mm)	1/2" (12.70mm)
E	3/16" (4.76mm)	1/4" (6.35mm)	1/4" (6.35mm)	9/32" (7.14mm)
F	2 1/16" (52.39mm)	2 9/32" (65.88mm)	2 7/16" (61.91mm)	2 15/16" (74.61mm)
G	3/64" (1.19mm)	1/16" (1.59mm)	1/16" (1.59mm)	1/16" (1.59mm)
H	1 5/64" (27.38mm)	1 7/16" (36.51mm)	1 41/64" (41.67mm)*	1 5/16" (49.21mm)
I	3/8" (9.53mm)	1 5/32" (11.91mm)	1 3/32" (10.32mm)	1 5/32" (11.91mm)
Min. Wood Thickness	1 1/8" (28.58mm)	1 3/8" (34.93mm)	1 3/4" (44.45mm)	2" (50.80mm)
Wood Screw Sizes	#10x1 1/4" (4.8x32mm)	#14x1 1/2" (6.3x38mm)	#10x1 1/2" (4.8x38mm)**	#12x1 1/2" (5.5x38mm)
Soft Wood Pilot Hole	No. 43	No. 32	No. 43	No. 38
Hard Wood Pilot Hole	No. 31	No. 10	No. 31	No. 25
Hinge Weight	.75 lb.	1.65 lb.	1.86 lb./2.15 lb.	3.15 lb.

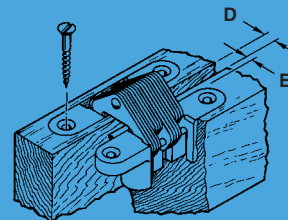
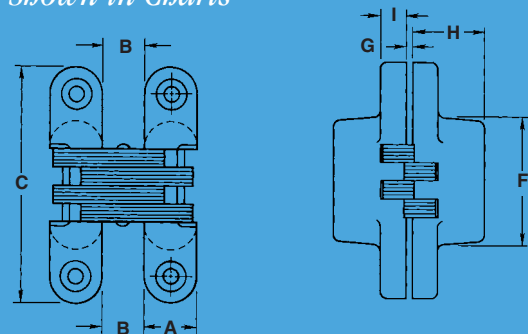
*For 418, H dimension is 1-19/32" (40.48mm)
**For 418 use wood screws #10 x 2-1/2"

**Metal
Application
Only**



Dimension	420
A	1 3/8" (34.93mm)
B	1 1/16" (26.99mm)
C	4 1/2" (114.30mm)
D	1/2" (12.70mm)
E	9/32" (7.15mm)
F	2 15/16" (74.62mm)
G	3/32" (2.38mm)
H	1 15/16" (49.22mm)
I	1 5/32" (11.91mm)
Min. Door Thickness	2" (50.8mm)
Screw Sizes	#12-24x1" machine screw
Hinge Weight	3.44 lb.

**Key to Dimensions
Shown in Charts**



*All hinges are
shipped with the
proper size wood
screws, unless
ordered without.
**DO NOT EXCEED
"E" DIMENSION.***