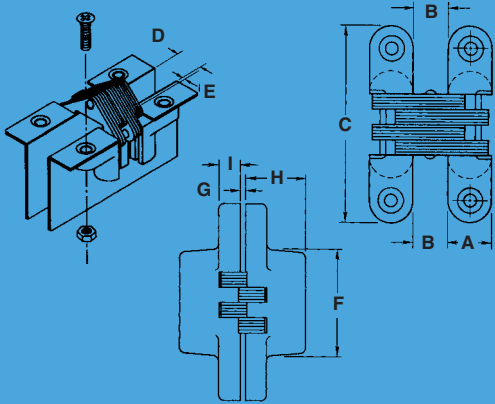


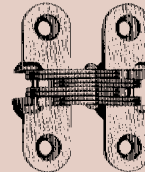
Modifications to Standard Hinges

Key to Dimensions
Shown in Chart at Right



Special Application

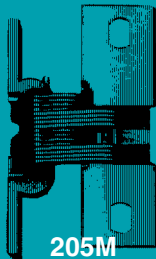
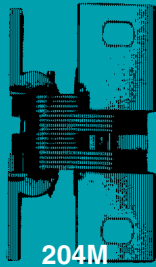
Hinge illustrations are shown half size.



| Dimension | 101M | 203M |
|-----------|--------------------|-------------------|
| A | 3/8" (9.53mm) | 1/2" (12.70mm) |
| B | 1 9/64" (7.54mm) | 2 3/64" (9.13mm) |
| C | 1 11/16" (42.86mm) | 1 3/4" (44.45mm) |
| D | 7/64" (2.78mm) | 7/64" (2.78mm) |
| E | 3/32" (2.38mm) | 1/8" (3.18mm) |
| F | 7/8" (22.23mm) | 3/4" (19.05mm) |
| G | 1/32" (.79mm) | 1/32" (.79mm) |
| H | 2 9/64" (11.51mm) | 2 3/32" (18.26mm) |
| I | 7/32" (5.56mm) | 3/16" (4.76mm) |

Metal Application Only

Hinge illustrations are shown half size.



| Dimension | 204M | 205M |
|--------------|-----------------------------|-----------------------------|
| A | 2.49" (63.25mm) | 2.49" (63.25mm) |
| B | 1.89" (48mm) | 1.89" (48mm) |
| C | .05" (1.27mm) | .23" (5.84mm) |
| D | .41" (10.41mm) | .41" (10.41mm) |
| E | 1.25" (31.75mm) | 1.25" (31.75mm) |
| F | .11" (2.79mm) | .11" (2.79mm) |
| G | .50" (12.70mm) | .50" (12.70mm) |
| H | .36" (9.14mm) | .58" (14.73mm) |
| I | .31" x .22" (7.87 x 5.59mm) | .31" x .22" (7.87 x 5.59mm) |
| J | — | .18" (4.57mm) |
| K | .80" (20.32mm) | .80" (20.32mm) |
| Hinge Weight | .20 lb. | .22 lb. |

Concealed Surface Mount

Hinge illustrations are shown half size.



106

| | |
|---------------------|-------------------|
| Length of Plates | 2 3/8" (60.33mm) |
| Width of Plates | 1 9/32" (15.08mm) |
| Depth of Mortise | 5/8" (15.88mm) |
| Thickness | N/A |
| Clearance (open) | 7/16" (11.11mm) |
| Min. Wood Thickness | N/A |
| Size Wood Screw | N/A |
| Hinge Gap (closed) | 1 3/64" (5.16 mm) |
| Hinge Weight. | .18 lb. |

Model 106: mounts on BACK of door and frame, and requires no mortise. Hinge is visible from the back, maximum door thickness is 5/64".

Key to Dimensions
Shown in Chart Above

