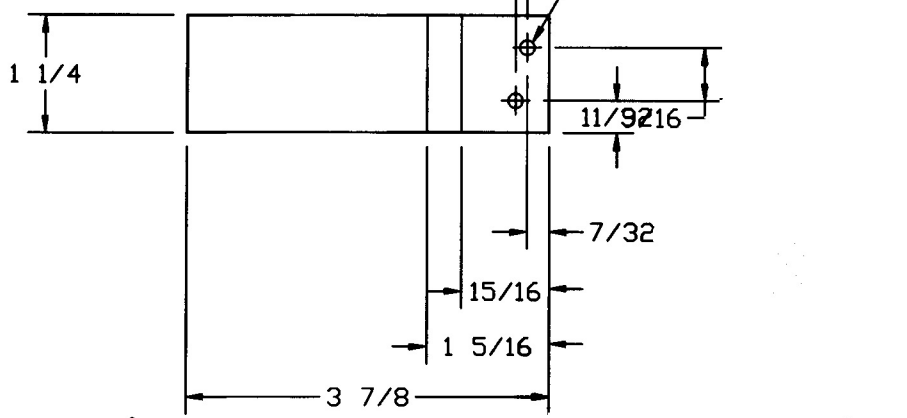
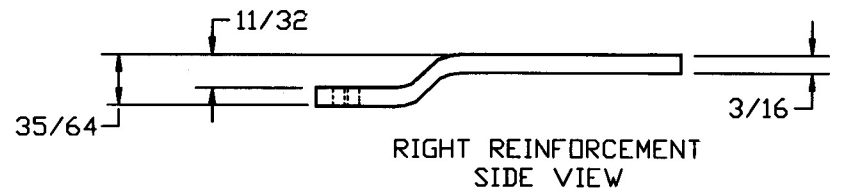
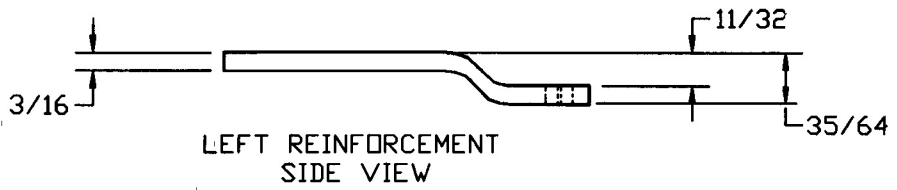
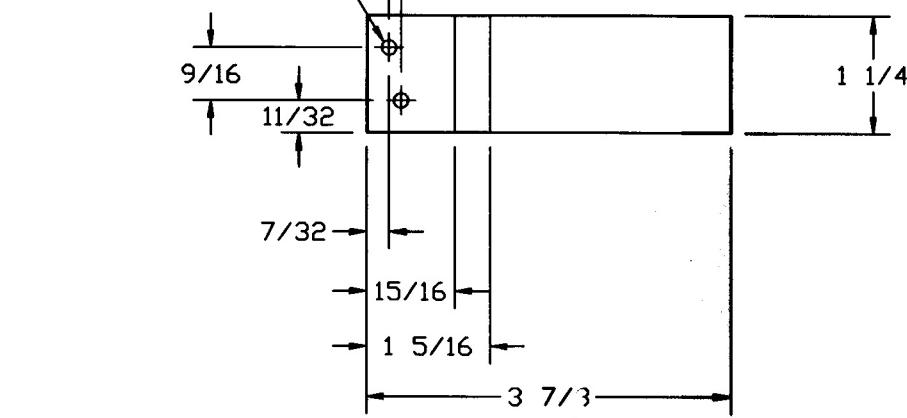


LEFT REINFORCEMENT TOP VIEW



RIGHT REINFORCEMENT TOP VIEW



TWO PIECE HINGE REENFORCEMENT FOR SOSS #218 & #418 INVISIBLE HINGE THIS DWG. NOT FOR FABRICATION

DO NOT SCALE

EACH REINFORCEMENT IS A MIRROR IMAGE OF THE OTHER.

UNIVERSAL INDUSTRIAL PRODUCTS COMPANY
UIIP
 DIVISION OF CORE INDUSTRIES INC.
 ONE COREWAY DRIVE
 PIONEER, OHIO 43554-0628

SCALE: NONE

DRAWN BY: RLS - L.J.

MATERIAL: 3/16 INCH THICK STEEL

DATE: 11/15/04

TWO PIECE DOOR REINFORCEMENT FOR #218 & #418 SOSS INVISIBLE HINGE

DRAWING # 4459A