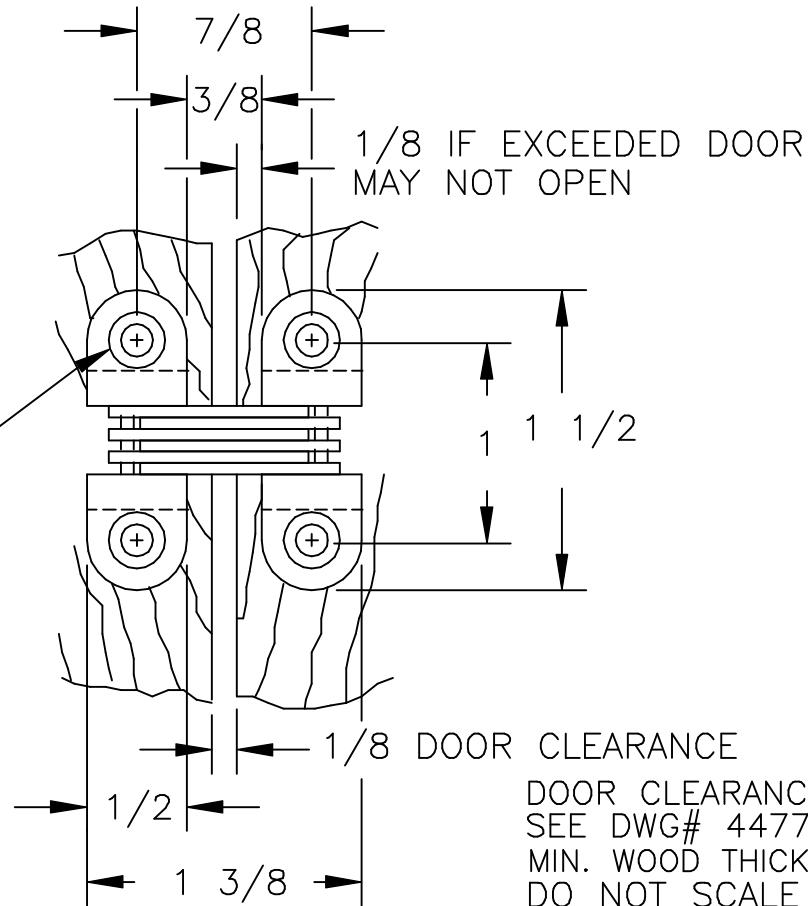


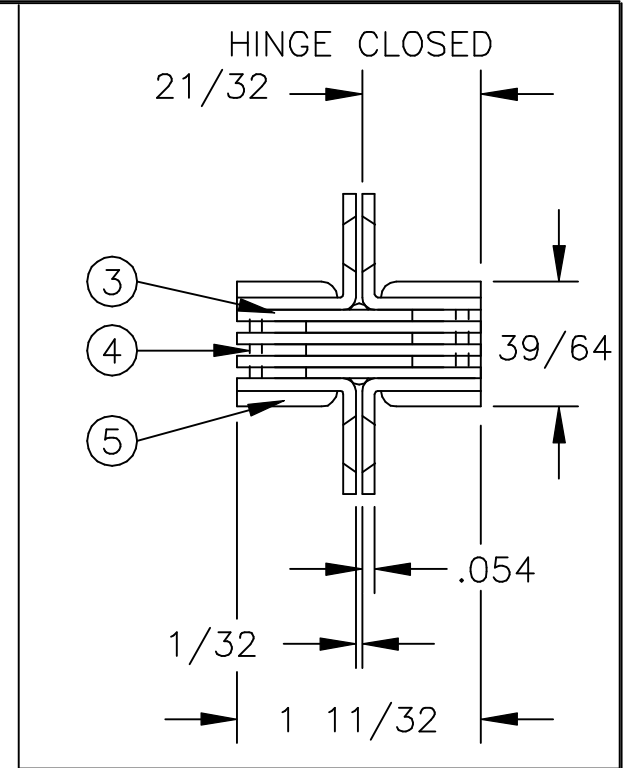
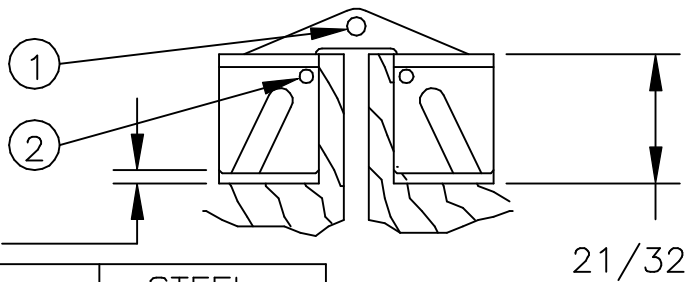
HINGE OPEN 180°



.212 DIA. WITH
3/8 x 120° C'SINK

SCREWS ARE NOT
SUPPLIED AND CAN
NOT BE SPECIAL
ORDERED

DOOR CLEARANCE REDUCES TO 1/64" WHILE CLOSING
SEE DWG# 4477-C IF ADDING MATERIAL TO DOOR FACE
MIN. WOOD THICKNESS IS 11/16 INCH
DO NOT SCALE DRAWING



NO.	QTY.	PART NAME	MATERIAL
5	2	BODY	STEEL
4	2	CHANNEL PIN	STEEL
3	6	LINK	STEEL
2	2	LONG PIN	STEEL
1	1	RIVET PIN	STEEL
NO.	QTY.	PART NAME	MATERIAL

<p>UIP ©Copyright 1998 Universal Industrial Products Co. Inc. One Coreway Drive Pioneer, Ohio 43554-0628</p>	<p>SCALE: DO NOT SCALE</p>
	<p>DRAWN BY: R. SEIGNEUR</p>
<p>HINGE TEMPLATE</p>	<p>DATE: 4/8/98</p>
<p>#303M SOSS INVISIBLE HINGE</p>	<p>DRAWING # 3961-C</p>