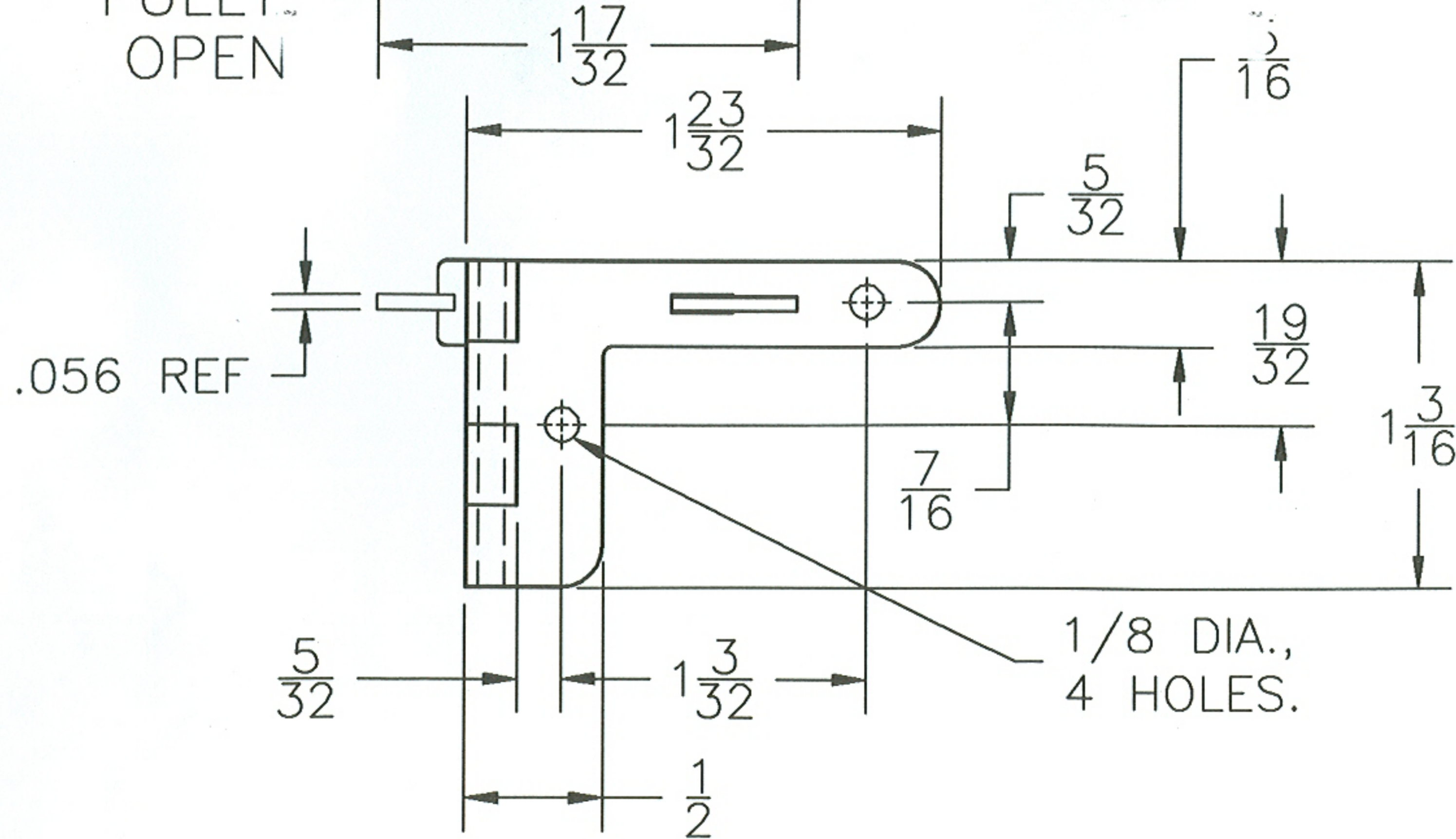


HINGE FULLY OPEN

HINGE CLOSED



DIMENSIONS ARE IN INCHES  
DO NOT SCALE DRAWING

**UIP**

© Copyright 1998  
Universal Industrial Products Co. Inc.  
One Coreway Drive  
Pioneer, Ohio 43554-0628

SCALE:  
NONE

DRAWN BY:  
L. JESKE

QUADRANT HINGE

DATE:  
9-22-05

MATERIAL:  
.042 AND .056 THICK BRASS

DWG No.  
4479-C

1/8 DIA.,  
4 HOLES.